



40 TON HIGH STATIC AC UNIT NEMA 4 & 7

Unit Performance / Data



General

Manufacturer Custom Air Products & Services, Inc.
 Unit Model Number CAPS40-R410A-N4-SS / CAPS40-R410A-N7-SS
 Equipment Insurance Value \$XXXXX.XX
 Duct Connections 2 x 20" Supply Air & 4 x 20" Return Air

Dimensions

Length 153" (12'-9")
 Width 81" (6'-9")
 Height 96" (8')
 Unit Weight (N4) 6,300 Lbs.
 Unit Weight (N7) 6,600 Lbs.

Electrical

Single Point Power Supply 460V / 3PH / 60HZ
 Connections 4 Cam-Lok connectors

Cooling MCA 94
 Cooling MOCP 110

Fan Performance

CFM	TSP	MOTOR HP
5,600	5.5	7.5

Filter

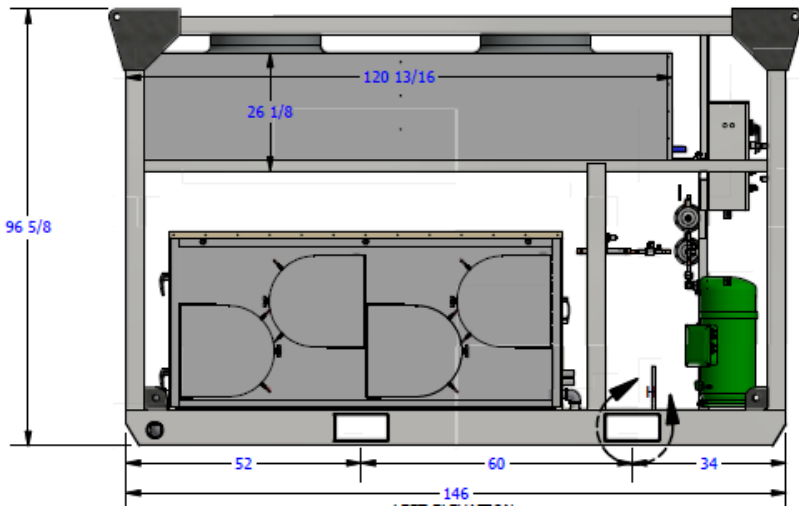
SIZE	EFF.	TYPE
(8) 16" x 20" x 2"	30%	Pleated

For more information contact:
 Custom Air Products & Services (CAPS)
www.customairproducts.com
 (713) 460-9009

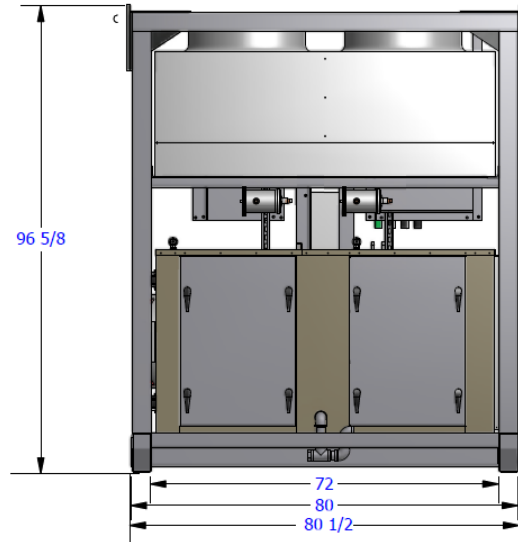


40 TON HIGH STATIC AC UNIT NEMA 4 & 7

Unit Drawings / Photos



Return Air View



Access Panel View



Control Panel View NEMA 4 Non-Explosion Proof Stainless Steel Cabinet & Hot Dipped Galvanized Skid & Cage



Electrical Panel View NEMA 7 Explosion Proof Stainless Steel Cabinet & Hot Dipped Galvanized Skid & Cage

For more information contact:
 Custom Air Products & Services (CAPS)
www.customairproducts.com
 (713) 460-9009



40 TON HIGH STATIC AC UNIT NEMA 4 & 7

Product Data

Air Conditioning Unit Features:

- 5,600 CFM high static plenum fan rated at 5.5 TSP
- 100% outside or return air duty
- Two (2) stages of refrigeration capacity control
- Dual independent refrigerant circuits
- Dual circuit hot gas bypass
- Direct drive condenser fans
- Environmentally safe 410A refrigerant
- Stainless steel condensate pan
- Dual condensate connections (size 1¼" FPT)
- Easy access panels for efficient serviceability
- Isolated high / low voltage control panels
- Double wall evaporator cabinet construction
- Heavy duty skid, forklift slots, tie-downs with coated lifting / stacking cage (Option: stack and cage to be hot dipped galvanized)
- Rugged design built for rental duty
- Corrosion resistant condenser coil guards
- Two (2) 20" outlet & four (4) 20" inlet air duct connections

Air Conditioning Unit Functions:

- NEMA 4 to meet General Purpose Electrical Classification
- NEMA 7 model is suitable for explosion hazardous classification to meet Class 1, Division 2, Group C & D, T3
- Single point 460V / 3PH / 60HZ power application power connection utilizing four (4) Cam-Lock power cables
- Panel mounted high voltage disconnect
- Main power on indicator light (green)
- Phase monitor and phase fail indicator light (red)
- Circuit #1 and #2 cooling failure alarm light (red)
- Master On / Off switch
- Low ambient fan cycling control
- High static evaporator fan
- Hour meters for each refrigerant circuit
- DDC compressor protection module
- Common trouble alarm terminal
- High and low pressure safety switches
- Micro processor temperature controller
- Entering and leaving air control capability
- Refrigerant isolation valves, sight glasses and filter driers

For more information contact:

Custom Air Products & Services (CAPS)

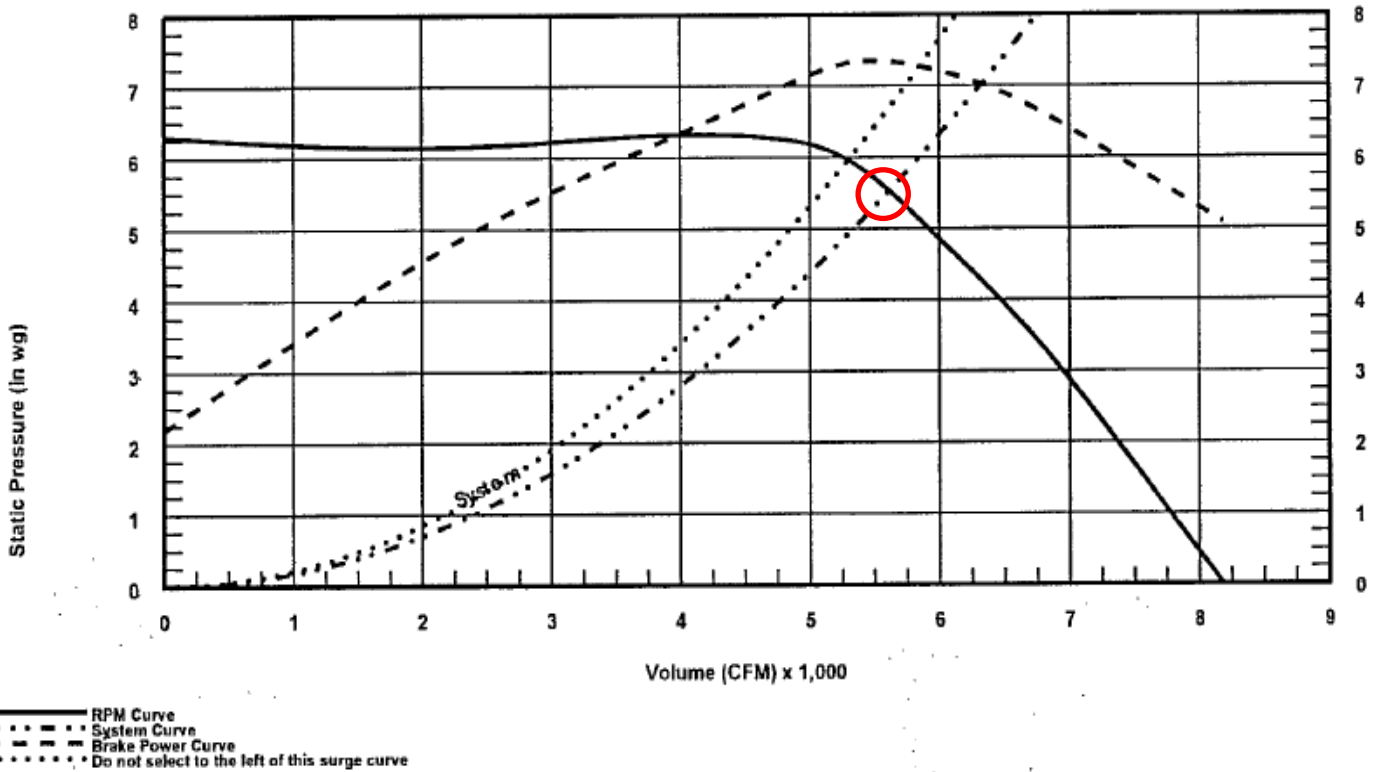
www.customairproducts.com

(713) 460-9009



40 TON HIGH STATIC AC UNIT NEMA 4 & 7

Unit Performance/Data



Cooling Coil Performance

CFM	FPM	EDB/EWB	LDB/LWB	MBH Total	MBH Sens.	ROW/F IN	REFG.	SUCT. TEMP	SUPER HEAT
5,600	467	95.0 / 80.0	55.4 / 55.4	489.3	239.4	6 / 12	410A	45.0	20.0

Equipment specifications are based manufactures published data; capacity may vary based upon field conditions

For more information contact:
Custom Air Products & Services (CAPS)
www.customairproducts.com
 (713) 460-9009