



75 TON PORTABLE AIR HANDLING UNIT

Unit Performance / Data



General

| | |
|---------------------------|---|
| CAT Class | 718-1960 |
| Manufacturer | Custom Air Products & Services, Inc. |
| Unit Model Number | PAHH-75TD-0NN0NN-5E5-P2-UP |
| Equipment Insurance Value | \$51,000.00 |
| Duct Connections | 2 x 20" Supply Air & 4 x 20" Return Air |

Electrical

| | |
|------------------------------------|----------------------------------|
| Certification | ETL Listed |
| Single Point Power Supply | 460V/3PH/60HZ |
| Connections | 1 @ Series 16 Male per conductor |
| Min. Circuit Ampacity (MCA) | 26 |
| Max. Overcurrent Protection (MOCP) | 45 |

Dimensions

| | |
|---------------|-----------------|
| Length (Base) | 100" (8'-4") |
| Length (Cage) | 107.5" (8'-11") |
| Width | 83.5" (6'-11") |
| Height | 63.25" (5'-3") |
| Unit Weight | 3,650 Lbs. |

Filter

| SIZE | EFF. | TYPE |
|--------------------|------|---------|
| (6) 20" x 24" x 2" | 30% | Pleated |

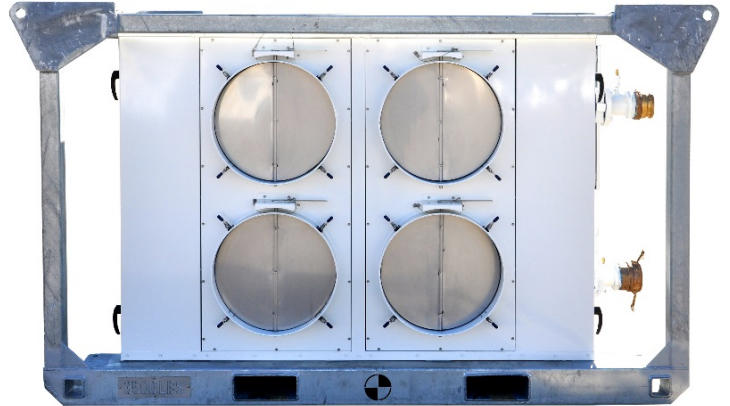
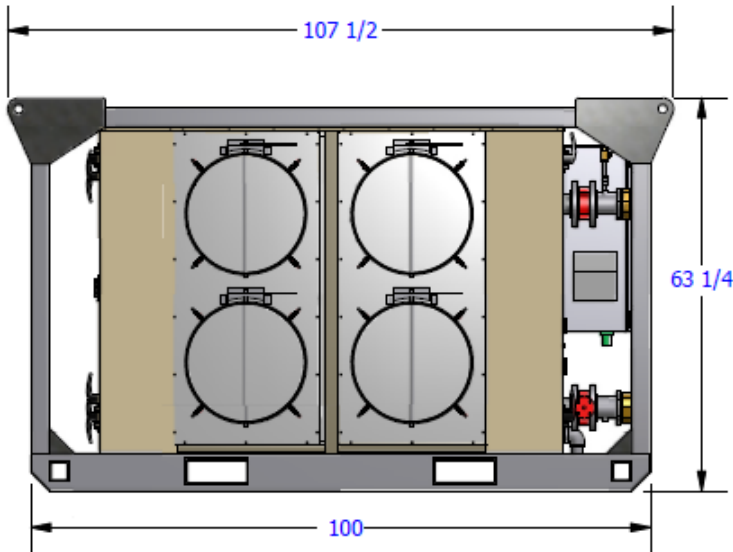
For more information contact:

Herc Rentals
www.hercrentals.com
 1 (888) 658-1718

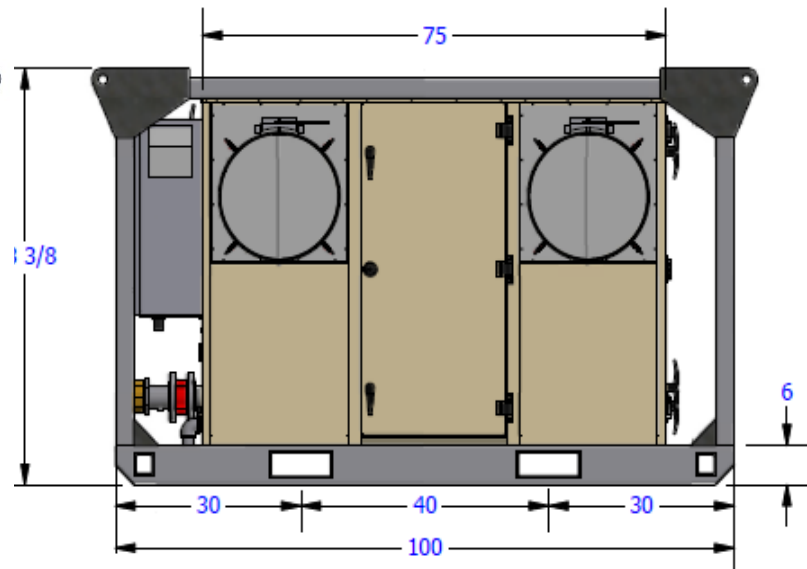


75 TON PORTABLE AIR HANDLING UNIT

Unit Drawings



Four (4) 20" Return Air Connections



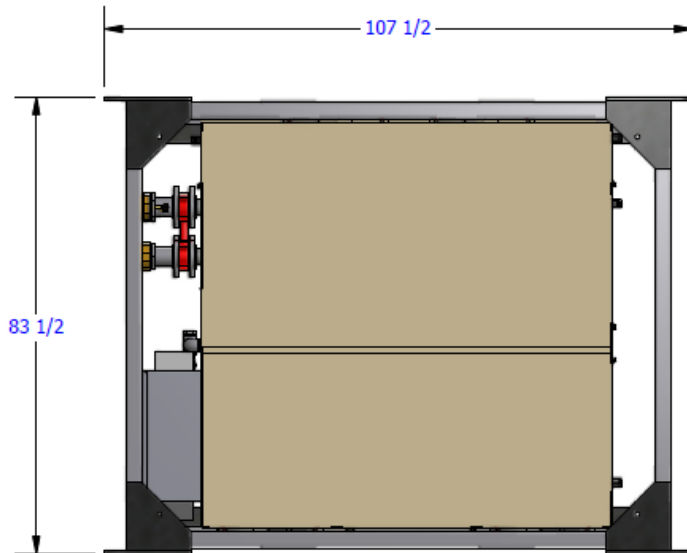
Two (2) 20" Supply Air Connections

For more information contact:
Herc Rentals
www.hercrentals.com
1 (888) 658-1718



75 TON PORTABLE AIR HANDLING UNIT

Product Data



Plan View with Dimensional Data



Chilled Water & Control Panel

Unit features

- Commercial and industrial applications
- Hot dip galvanized structural lifting/stacking skid and integrated tie-downs
- (2) 20" Standard discharge collars with adjustable seven position quadrant damper
- (4) 20" Standard return collars with adjustable seven position quadrant dampers
- High performance airfoil plenum fan sized for 9,500 CFM
- 460V/3PH/60HZ 15HP TEFC motor with potentiometer VFD for variable air flow application
- 4" Dixon brass quick connect couplings (Inlet & Outlet)
- Chilled water temperature and pressure indication (Inlet & Outlet)
- 4" Butterfly Valve (Inlet & Outlet)
- Integrated control panel with cam-lock power connections, circuit breaker, magnetic starter, potentiometer for VFD control, OFF/Auto two position switch, Power On indicator light and Phase Incorrect indicator light
- The unit is ready for operation with minimal setup of two (2) 4" hose connections and (4) Cam-Lock power cables.

For more information contact:

Herc Rentals

www.hercrentals.com

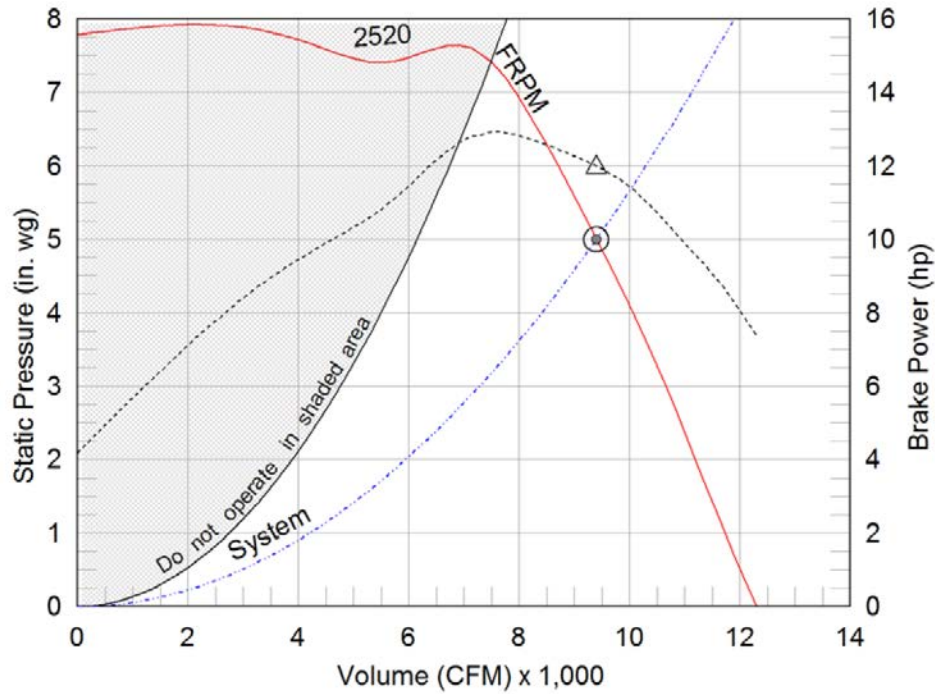
1 (888) 658-1718



75 TON PORTABLE AIR HANDLING UNIT

Unit Performance/Data

Operating Performance



Fan Performance

| | |
|---------------------|----------|
| Motor | 15 HP |
| Motor Type | TEFC |
| Drive Configuration | Belt |
| Belt Size | (2) BX27 |
| Variable Speed | Yes |

Coil Performance

| CFM | FPM | EDB/EWB | LDB/LWB | MBH Total | MBH Sens. | ROW/FIN | EWT | LWT | GPM |
|-------|-----|-------------|-------------|-----------|-----------|---------|------|------|-------|
| 9,500 | 588 | 95.0 / 80.0 | 53.0 / 53.0 | 920.8 | 435.8 | 8 / 12 | 44.0 | 54.0 | 180.0 |

Equipment specifications are based manufactures published data; capacity may vary based upon field conditions

For more information contact:

Herc Rentals
www.hercrentals.com
 1 (888) 658-1718