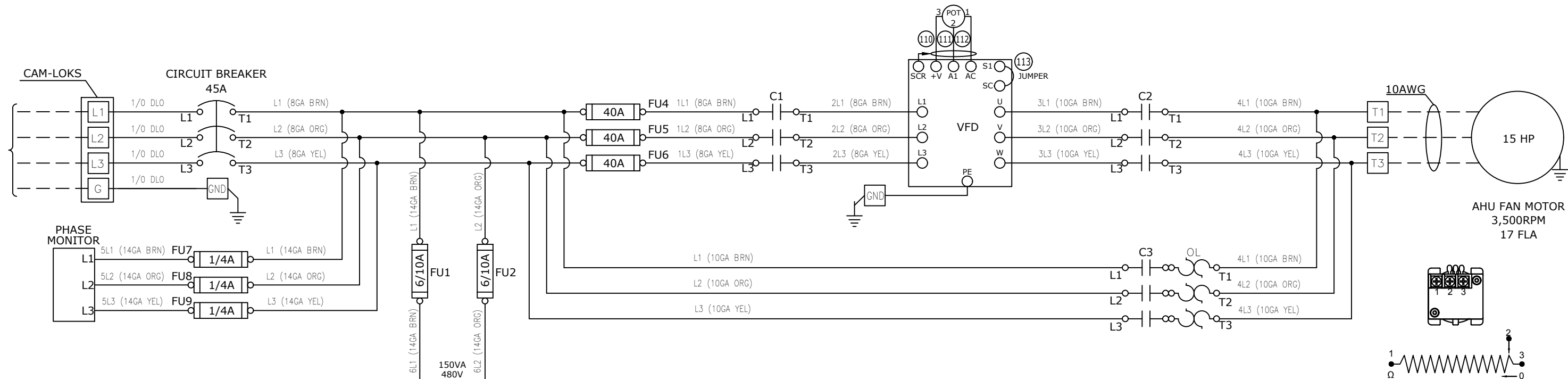


460/3/60
26 MCA
45 MOCP



LEGEND

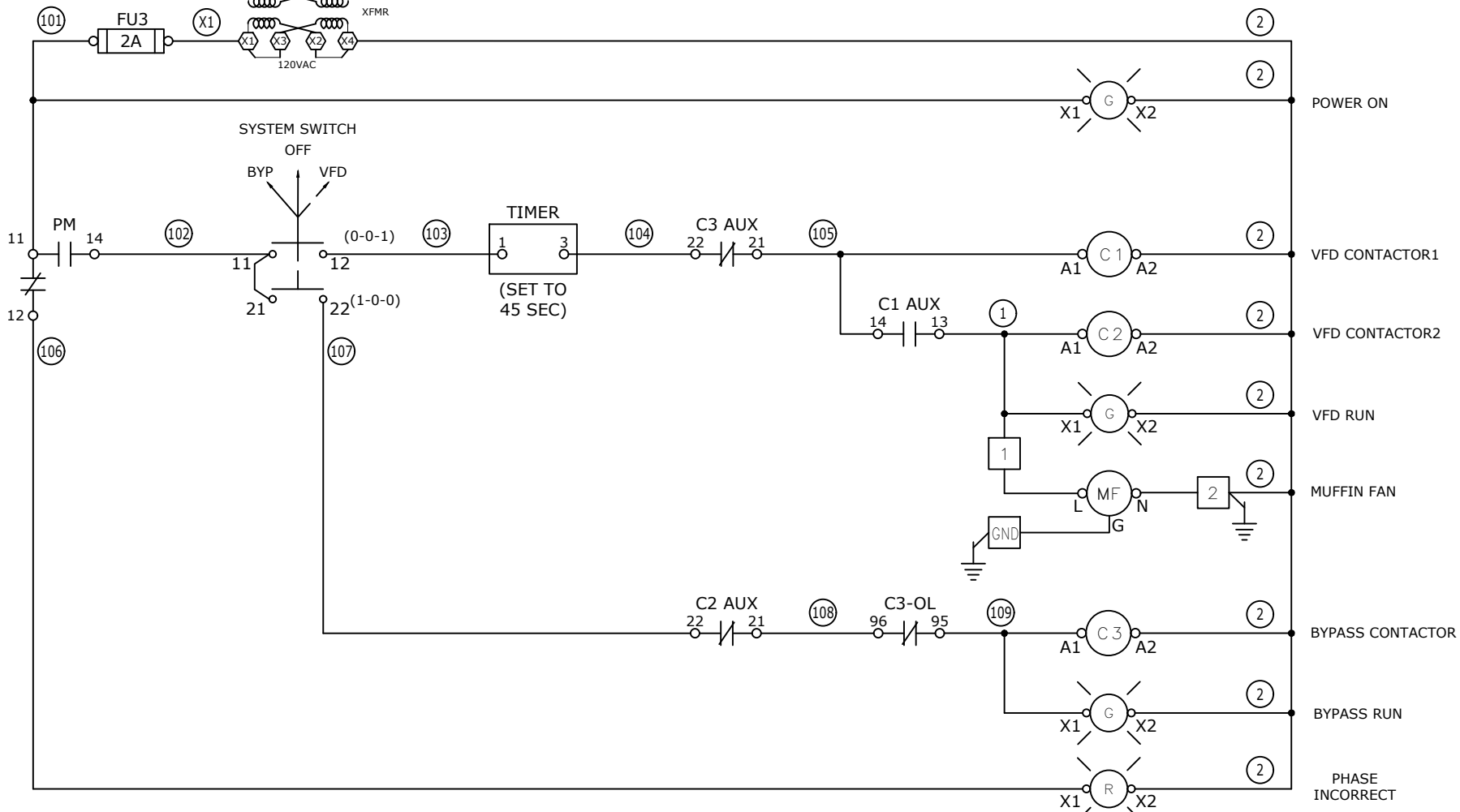
- C1 - VFD CONTACTOR
- C2 - VFD CONTACTOR 2
- C3 - BYPASS CONTACTOR
- CB - CIRCUIT BREAKER
- FU - FUSE
- MF - MUFFIN FAN
- OL - OVERLOAD
- PM - PHASE MONITOR
- T1 - TIMER
- XFMR - CONTROL CIRCUIT TRANSFORMER
- VFD - VARIABLE FREQUENCY DRIVE

WIRING NOTES

208/120VAC	480/277VAC	24VDC
PHASE A - BLACK	PHASE A - BROWN	POSITIVE - DARK BLUE
PHASE B - RED	PHASE B - ORANGE	NEGATIVE - GRAY
PHASE C - BLUE	PHASE C - YELLOW	
NEUTRAL - WHITE	NEUTRAL - GRAY	24VAC
GROUND - GREEN	GROUND - GREEN	PHASE A - RED
		NEUTRAL - BROWN

INTRINSICALLY SAFE WIRING 18AWG LIGHT BLUE AND MUST BE SEPARATED FROM OTHER WIRING BY MINIMUM OF 2". IF CABLE USED IT MUST BE SHIELDED.

IF VAC WIRING GAUGE NOT SPECIFIED USE 18 AWG
IF VDC WIRING GAUGE NOT SPECIFIED USE 18 AWG



REV#	DATE	DESIGNER	DESCRIPTION
0	12/07/2017	J.OMALLEY	ISSUED FOR CONSTRUCTION
1	05/01/2018	B. LANDRY	AS-BUILT



THIS DRAWING AND THE INFORMATION HEREIN CONTAINED ARE THE PROPERTY OF CUSTOM AIR PRODUCTS, WHICH HAS FURNISHED THEM IN CONFIDENCE UPON THE UNDERSTANDING AND CONDITION THAT ALL PERSONS, FIRMS OR CORPORATIONS RECEIVING SUCH DRAWINGS AND INFORMATION SHALL BY THE ACT OF RECEIVING THEM BE DEEMED TO HAVE AGREED: TO MAKE NO COPY, DUPLICATION, DISCLOSURE OR USE WHATSOEVER OF ALL OR ANY PART THEREOF EXCEPT AS EXPRESSLY AUTHORIZED IN WRITING BY CUSTOM AIR PRODUCTS; NOT TO GIVE, LEND OR OTHERWISE DISPOSE OF THIS DRAWING; AND TO RETURN THIS DRAWING PROMPTLY UPON REQUEST.

CERTIFIED AS-BUILT

CHECKER: _____ DATE: _____
APPROVER: _____ DATE: _____

CAPS NO.: 17F-0863	DRAWING: E1	DRAWN BY: J.OMALLEY	DATE: 12//07/2017
CUST. PO#:	SHEET: 1 OF 4	CHECKED BY: DAVID NGUYEN	DATE: 05/01/2018
SIZE: B	REV: 1	APPROVED BY: LARRY NOVAK	DATE: 05/01/2018

CUSTOMER: **HERC EQUIPMENT RENTALS**

**(2) 75 TON INDUSTRIAL AIR HANDLING UNITS
GALV. SKID, GALV. CAGE, COATED HOUSING
460V/3PH/60HZ, GENERAL PURPOSE
ELECTRICAL DESIGN
WIRING DIAGRAM**

SEQUENCE OF OPERATION

The system is placed into initial operation as follows:

- Turn System Switch to "OFF"
- Turn Circuit Breaker "ON"
 - If the "Phase Incorrect" light is on, turn off the circuit breaker; reverse two (2) phases of incoming power for proper phase sequencing then check the incoming power source to be sure the unit has a good power source - 460V/3P/60HZ
 - If the "Power On" light is on and the "Phase Incorrect" light is off, the unit is ready for operation
- Turn System Switch to position that you desire
 - 1- Bypass: The evaporator fan will bypass the VFD and runs at full speed. The "Bypass Run" light will turn on
 - 2- VFD: "VFD run" light will turn on. The evaporator fan will be controlled by the VFD. Use the POT switch to adjust evaporator fan speed.
- Only use System Switch to turn off the unit

NOTE: UNIT DOES NOT HAVE A THERMOSTAT

REV#	DATE	DESIGNER	DESCRIPTION
0	12/07/2017	J.OMALLEY	ISSUED FOR CONSTRUCTION
1	05/01/2018	B. LANDRY	AS-BUILT



THIS DRAWING AND THE INFORMATION HEREIN CONTAINED ARE THE PROPERTY OF CUSTOM AIR PRODUCTS, WHICH HAS FURNISHED THEM IN CONFIDENCE UPON THE UNDERSTANDING AND CONDITION THAT ALL PERSONS, FIRMS OR CORPORATIONS RECEIVING SUCH DRAWINGS AND INFORMATION SHALL BY THE ACT OF RECEIVING THEM BE DEEMED TO HAVE AGREED: TO MAKE NO COPY, DUPLICATION, DISCLOSURE OR USE WHATSOEVER OF ALL OR ANY PART THEREOF EXCEPT AS EXPRESSLY AUTHORIZED IN WRITING BY CUSTOM AIR PRODUCTS; NOT TO GIVE, LEND OR OTHERWISE DISPOSE OF THIS DRAWING; AND TO RETURN THIS DRAWING PROMPTLY UPON REQUEST.

CERTIFIED AS-BUILT

CHECKER: _____ DATE: _____
 APPROVER: _____ DATE: _____

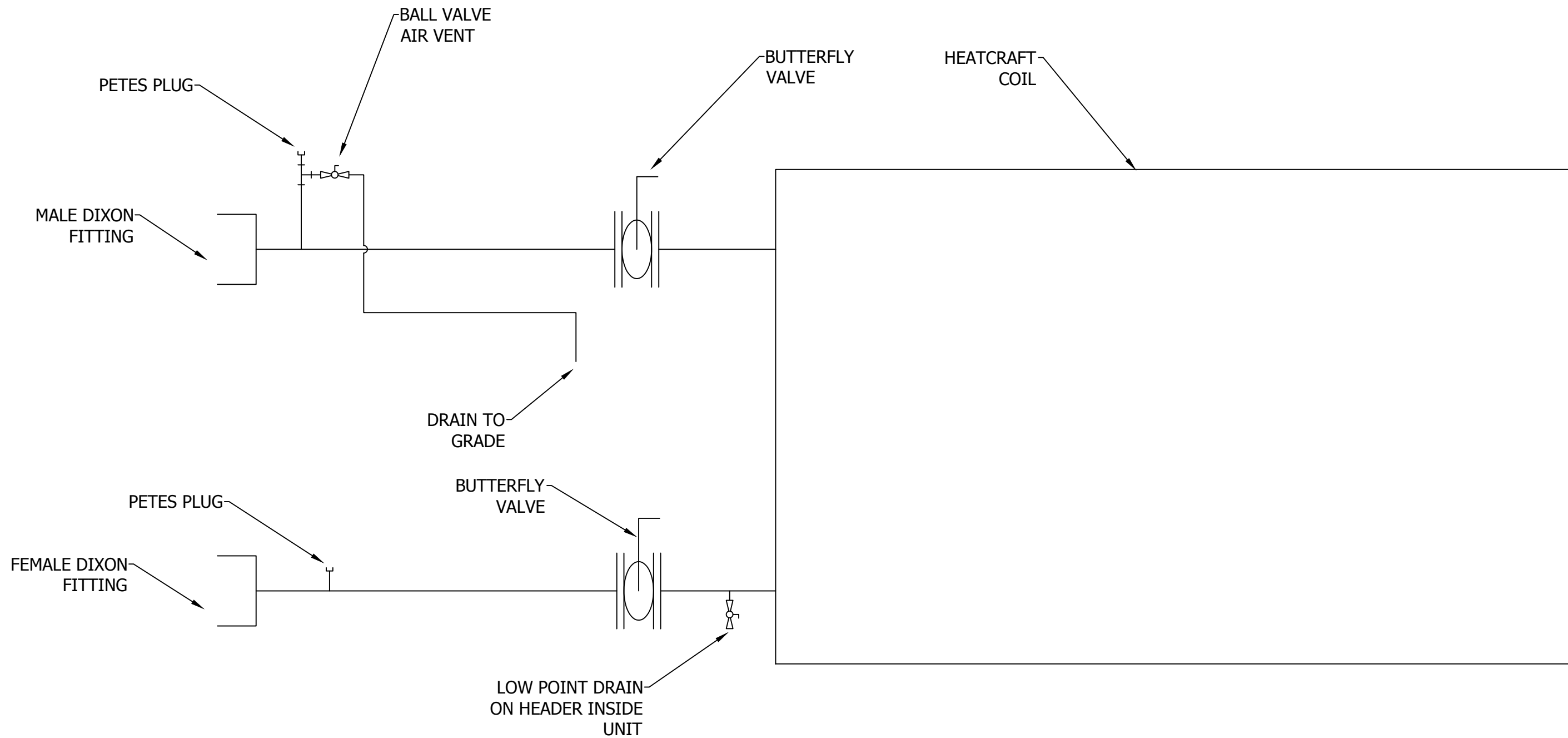
CAPS NO.: 17F-0863 DRAWING: E3 DRAWN BY: J.OMALLEY DATE: 12//07/2017

CUST. PO#: _____ SHEET: 3 OF 4 CHECKED BY: DAVID NGUYEN DATE: 05/01/2018

SIZE: B REV: 1 APPROVED BY: LARRY NOVAK DATE: 05/01/2018

CUSTOMER: **HERC EQUIPMENT RENTALS**

**(2) 75 TON INDUSTRIAL AIR HANDLING UNITS
 GALV. SKID, GALV. CAGE, COATED HOUSING
 460V/3PH/60HZ, GENERAL PURPOSE
 ELECTRICAL DESIGN
 WIRING DIAGRAM**



REV#	DATE	DESIGNER	DESCRIPTION
0	12/07/2017	J.OMALLEY	ISSUED FOR CONSTRUCTION
1	05/01/2018	B. LANDRY	AS-BUILT



THIS DRAWING AND THE INFORMATION HEREIN CONTAINED ARE THE PROPERTY OF CUSTOM AIR PRODUCTS, WHICH HAS FURNISHED THEM IN CONFIDENCE UPON THE UNDERSTANDING AND CONDITION THAT ALL PERSONS, FIRMS OR CORPORATIONS RECEIVING SUCH DRAWINGS AND INFORMATION SHALL BY THE ACT OF RECEIVING THEM BE DEEMED TO HAVE AGREED: TO MAKE NO COPY, DUPLICATION, DISCLOSURE OR USE WHATSOEVER OF ALL OR ANY PART THEREOF EXCEPT AS EXPRESSLY AUTHORIZED IN WRITING BY CUSTOM AIR PRODUCTS; NOT TO GIVE, LEND OR OTHERWISE DISPOSE OF THIS DRAWING; AND TO RETURN THIS DRAWING PROMPTLY UPON REQUEST.

CERTIFIED AS-BUILT

CHECKER: _____ DATE: _____
 APPROVER: _____ DATE: _____

CAPS NO.: 17F-0863	DRAWING: E4	DRAWN BY: J.OMALLEY	DATE: 12//07/2017
CUST. PO#:	SHEET: 4 OF 4	CHECKED BY: DAVID NGUYEN	DATE: 05/01/2018
SIZE: B	REV: 1	APPROVED BY: LARRY NOVAK	DATE: 05/01/2018

CUSTOMER:
HERC EQUIPMENT RENTALS
 (2) 75 TON INDUSTRIAL AIR HANDLING UNITS
 GALV. SKID, GALV. CAGE, COATED HOUSING
 460V/3PH/60HZ, GENERAL PURPOSE
**ELECTRICAL DESIGN
 WIRING DIAGRAM**