



## 5 TON PACKAGE UNIT GP / NEMA 4

Unit Performance / Data



### General

CAT Class 718-1170  
 Manufacturer Custom Air Products & Services, Inc.  
 Unit Model Number PPKH-5TD-0NN20KE-5E5-P1-G2CEUP  
 Equipment Insurance Value \$14,500.00  
 Duct Connections 1 x 20" Supply Air & 1 x 20" Return Air

### Dimensions

Length (top) 78" (6'-6")  
 Width 52½" (4'-4")  
 Height (w/ out casters) 64" (5'-4")  
 Height (w/ casters) 70" (5'-10")  
 Unit Weight 1,200 Lbs.

### Electrical

Single Point Power Supply 460V / 3PH / 60HZ  
 Connections 4 Cam-Lok connectors

Cooling MCA 15  
 Cooling MOCP 25

Heating MCA 35  
 Heating MOCP 35

Dehumidification MCA 45  
 Dehumidification MOCP 50

### Fan Performance

CFM	TSP	MOTOR HP
2,000	0.6	1

### Heating

kW	STAGES	VOLTAGE
20	2	480 / 3 / 60

### Filter

SIZE	EFF.	TYPE
(1) 24" x 20" x 1"	30%	Pleated

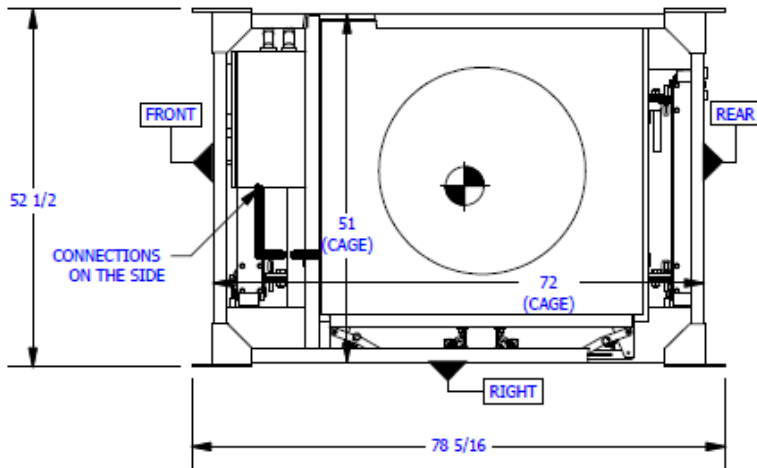
For more information contact:

Herc Rentals  
[www.hercrentals.com](http://www.hercrentals.com)  
 1 (888) 658-1718

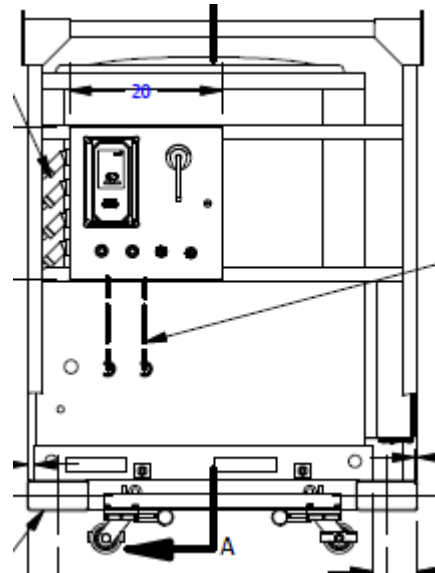


## 5 TON PACKAGE UNIT GP / NEMA 4

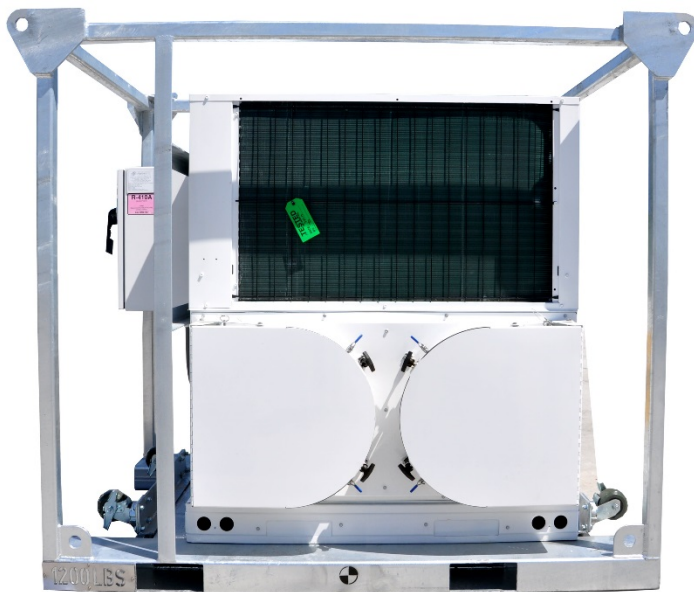
Unit Drawings / Photos



Plan View with Dimensional Data



Front side with Casters in Deployed Position with Dimensional Data



Right Side View with Supply and Return Air Connections



Control / Electrical Panel and Casters Retracted

For more information contact:  
Herc Rentals  
[www.hercrentals.com](http://www.hercrentals.com)  
1 (888) 658-1718



## 5 TON PACKAGE UNIT GP / NEMA 4

Product Data

### Air Conditioning Unit Features:

- Single stage of refrigeration capacity control
- 20 kW electric heating elements
- 2,000 CFM fan rated at 0.6 TSP
- Direct drive condenser fans
- Environmentally safe 410A refrigerant
- Resin condensate pan
- Single condensate connections (size 3/4" FPT)
- Easy access panels for efficient serviceability
- Isolated high / low voltage control panels
- Heavy duty skid, forklift slots, tie-downs with coated lifting / stacking cage
- Rugged design built for rental duty
- Corrosion resistant condenser coil guards
- One (1) 20" outlet & one (1) 20" inlet air duct connections
- Integrated casters (see photo to the right)
- Unit mounted thermostat
- DH override switch



**Integrated Casters**

### Air Conditioning Unit Functions:

- General purpose electrical classification
- Cooling, Heating and Dehumidification Operation
- Dual point 460V / 3PH / 60HZ power application power connection utilizing four (4) Cam-Lock power cables
- Panel mounted high voltage disconnect
- Main power on indicator light (green)
- Phase monitor and phase fail indicator light (red)
- Master On / Off switch
- Low ambient fan cycling control
- High and low pressure safety switches

**For more information contact:**

**Herc Rentals**

**[www.hercrentals.com](http://www.hercrentals.com)**

**1 (888) 658-1718**



## 5 TON PACKAGE UNIT GP / NEMA 4

Unit Performance/Data

### Airflow Performance

UNIT	MOTOR SPEED	WIRE COLOR	CFM	EXTERNAL STATIC PRESSURE (IN. W.C.)								
				0.1	0.2	0.3	0.4	0.5	0.6	0.7	0.8	0.9
50VL-A60	Med-Low	Pink	CFM	1678	1635	1602	1558	1513	1474	1438	1404	1349
	Medium <sup>†</sup>	Red	CFM	1962	1915	1880	1843	1794	1753	1711	1675	1628
	Med-High	Orange	CFM	2131	2088	2065	2013	1982	1941	1888	1860	1785
	High	Black	CFM	2461	2409	2339	2286	2192	2140	2062	1968	1874

### Cooling Coil Performance

#### 50VL-A60

EVAPORATOR AIR		CONDENSER ENTERING AIR TEMPERATURES °F (°C)																	
CFM/BF	EWB °F (°C)	75 (23.9)			85 (29.4)			95 (35)			105 (40.6)			115 (46.1)			125 (51.7)		
		Capacity MBtuh		Total Sys KW	Capacity MBtuh		Total Sys KW	Capacity MBtuh		Total Sys KW	Capacity MBtuh		Total Sys KW	Capacity MBtuh		Total Sys KW	Capacity MBtuh		Total Sys KW
		Total	Sens		Total	Sens		Total	Sens		Total	Sens		Total	Sens		Total	Sens	
2000/0.23	57 (13.8)	60.36	60.36	3.91	57.19	57.19	4.32	53.88	53.88	4.79	50.41	50.41	5.31	46.72	46.72	5.91	42.83	42.83	6.59
	62 (16.6)	60.82	57.92	3.91	57.29	57.29	4.32	53.96	53.96	4.79	50.47	50.47	5.32	46.78	46.78	5.92	42.88	42.88	6.59
	63* (17.2)	61.65	46.80	3.92	57.84	44.73	4.33	53.93	42.64	4.78	49.88	40.51	5.30	45.65	38.32	5.89	41.27	36.06	6.56
	67 (19.4)	66.24	48.72	3.98	62.11	46.60	4.39	57.86	44.46	4.85	53.47	42.28	5.36	48.88	40.05	5.95	44.14	37.77	6.61
	72 (22.2)	72.62	38.94	4.06	68.04	36.99	4.47	63.32	35.02	4.93	58.45	33.03	5.45	53.38	30.99	6.03	48.15	28.93	6.68

Equipment specifications are based manufactures published data; capacity may vary based upon field conditions

For more information contact:

Herc Rentals

www.hercrentals.com

1 (888) 658-1718