

REV#	DATE	DESIGNER	DESCRIPTION
0	04/12/2018	DN	ISSUED FOR APPROVAL
1	05/02/2018	TRUNG TRAN	ISSUED FOR CONSTRUCTION
2	08/28/2018	J.OMALLEY	AS BUILT



THIS DRAWING AND THE INFORMATION HEREIN CONTAINED ARE THE PROPERTY OF CUSTOM AIR PRODUCTS, WHICH HAS FURNISHED THEM IN CONFIDENCE UPON THE UNDERSTANDING AND CONDITION THAT ALL PERSONS, FIRMS OR CORPORATIONS RECEIVING SUCH DRAWINGS AND INFORMATION SHALL BY THE ACT OF RECEIVING THEM BE DEEMED TO HAVE AGREED: TO MAKE NO COPY, DUPLICATION, DISCLOSURE OR USE WHATSOEVER OF ALL OR ANY PART THEREOF EXCEPT AS EXPRESSLY AUTHORIZED IN WRITING BY CUSTOM AIR PRODUCTS: NOT TO GIVE, LEND OR OTHERWISE DISPOSE OF THIS DRAWING; AND TO RETURN THIS DRAWING PROMPTLY UPON REQUEST.

CERTIFIED AS-BUILT

CHECKER: _____ DATE: _____

APPROVER: _____ DATE: _____

CAPS NO.: 18F-0235	DRAWING: AE1	DRAWN BY: DAVID NGUYEN	DATE: 04/12/2018
CUST. PO#: 1108163	SHEET: 1 OF 2	CHECKED BY: DAVID NGUYEN	DATE: 05/02/2018
SIZE: B	REV: 2	APPROVED BY: STEVE NAEHER	DATE: 08/28/2018

CUSTOMER: **HERC RENTALS**

**(3) 500 TON WATER COOLED INDUSTRIAL CHILLERS
460V/3PH/60HZ**

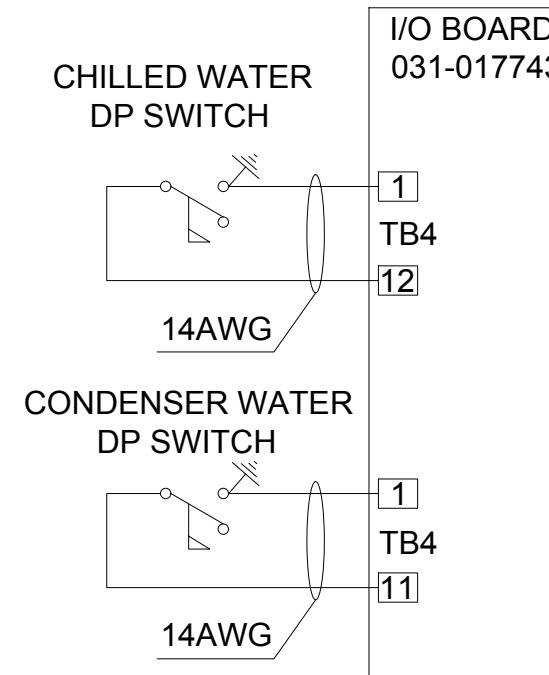
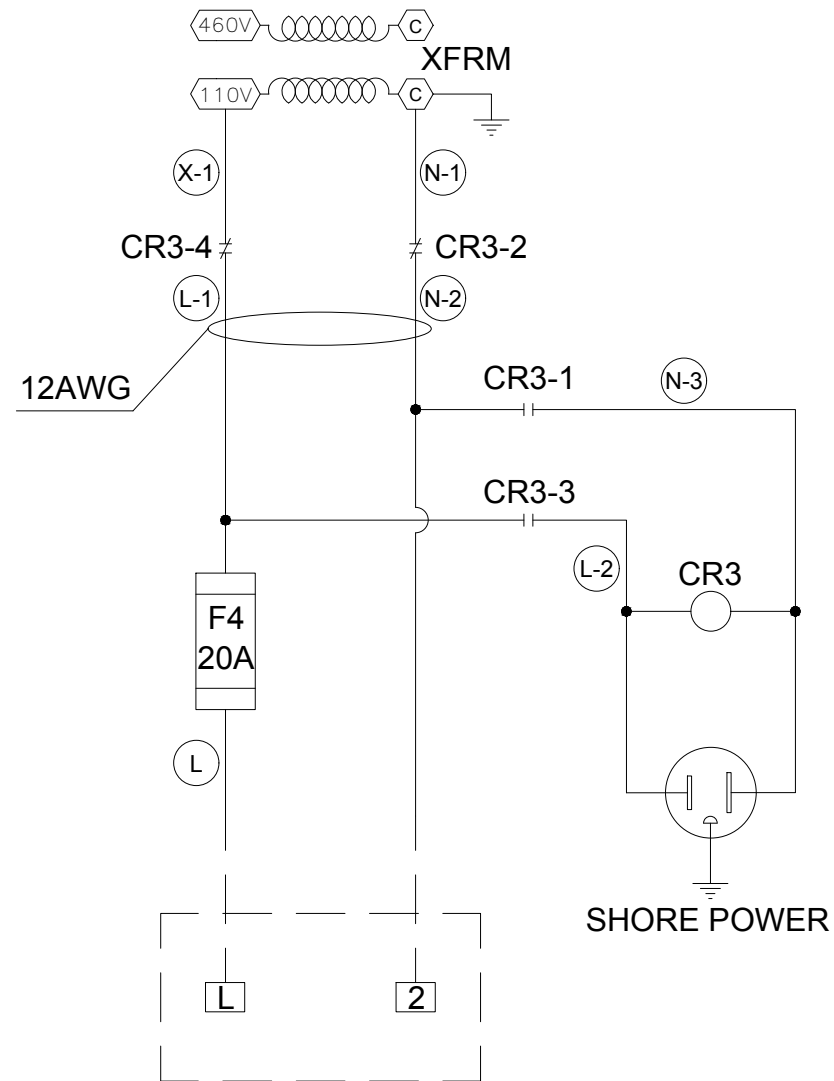
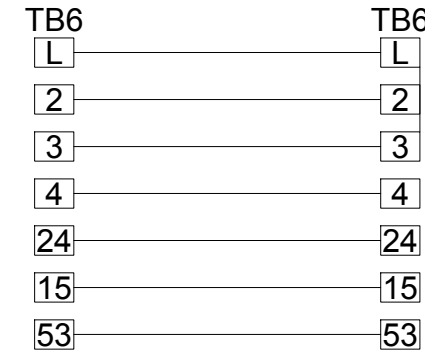
**ELECTRICAL DESIGN
POWER ON CONTROL**

35 SOUTHBELT INDUSTRIAL DR., HOUSTON, TX. 77047
PHONE: (713) 460-9009 FAX: (713) 460-9499
TEXAS BOARD OF PROFESSIONAL ENGINEERS
FIRM NUMBER F-14008

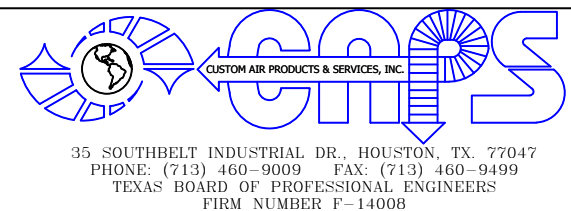
LEGEND	
CR3	MASTER RELAY
DP	DIFFERENTIAL PRESSURE
F	FUSE
TB	TERMINAL BLOCK
XFRM	TRANSFORMER

CHILLER CONTROL PANEL

STARTER PANEL



REV#	DATE	DESIGNER	DESCRIPTION
0	04/12/2018	DN	ISSUED FOR APPROVAL
1	05/02/2018	TRUNG TRAN	ISSUED FOR CONSTRUCTION
2	08/28/2018	J.OMALLEY	AS BUILT



THIS DRAWING AND THE INFORMATION HEREIN CONTAINED ARE THE PROPERTY OF CUSTOM AIR PRODUCTS, WHICH HAS FURNISHED THEM IN CONFIDENCE UPON THE UNDERSTANDING AND CONDITION THAT ALL PERSONS, FIRMS OR CORPORATIONS RECEIVING SUCH DRAWINGS AND INFORMATION SHALL BY THE ACT OF RECEIVING THEM BE DEEMED TO HAVE AGREED: TO MAKE NO COPY, DUPLICATION, DISCLOSURE OR USE WHATSOEVER OF ALL OR ANY PART THEREOF EXCEPT AS EXPRESSLY AUTHORIZED IN WRITING BY CUSTOM AIR PRODUCTS; NOT TO GIVE, LEND OR OTHERWISE DISPOSE OF THIS DRAWING; AND TO RETURN THIS DRAWING PROMPTLY UPON REQUEST.

CERTIFIED AS-BUILT

CHECKER: _____ DATE: _____
 APPROVER: _____ DATE: _____

CAPS NO.:	DRAWING:	DRAWN BY:	DATE:
18F-0235	AE2	DAVID NGUYEN	04/12/2018
CUST. PO#:	SHEET:	CHECKED BY:	DATE:
1108163	2 OF 2	DAVID NGUYEN	05/02/2018
SIZE:	REV:	APPROVED BY:	DATE:
B	2	STEVE NAEHER	08/28/2018

CUSTOMER: **HERC RENTALS**

**(3) 500 TON WATER COOLED INDUSTRIAL CHILLERS
 460V/3PH/60HZ**

**ELECTRICAL DESIGN
 LOW VOLTAGE CONTROL**